

## AA10A ACETAL ADJUSTABLE AIRMOVER



**Material:** Acetal Copolymer

**Weight:** 0.05Kg

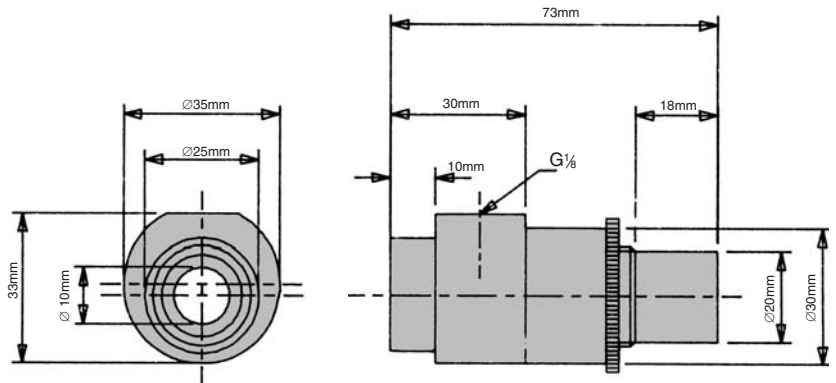
**Standard Gap:** Adjustable

**dB(A) at:** 5.5 bar is 72

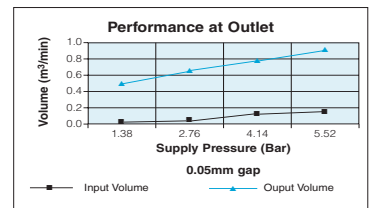
**Shims:** Not applicable

**Standard Inlet Thread:**  $G\frac{1}{8}$

**Options:**  $\frac{1}{8}$ " NPT  
Please specify on order  $\frac{1}{8}$ " NPTF



Bar	Vol in m <sup>3</sup> /min	Vol out m <sup>3</sup> /min
1.38	0.048	0.490
2.76	0.065	0.660
4.14	0.125	0.733
5.52	0.164	0.886



### PERFORMANCE DATA – DUCTED

METRIC	Back Pressure (mm water gauge) and guide to equivalent pipe length										
	125mm water gauge		250mm water gauge		375mm water gauge		500mm water gauge		625mm water gauge		
Supply Pressure kg/cm <sup>2</sup>	VI m <sup>3</sup> /min	Vc m <sup>3</sup> /min	Equiv. Pipe length m	Vo m <sup>3</sup> /min	Equiv. Pipe length m	Vo m <sup>3</sup> /min	Equiv. Pipe length m	Vo m <sup>3</sup> /min	Equiv. Pipe length m	Vo m <sup>3</sup> /min	Equiv. Pipe length m
2	.060	.26	7	.13	50						
3	.070	.47	2	.31	9	.20	37				
4	.115	.64	1	.51	3	.36	10	.33	15	.13	—
5	.150	.76	1	.65	2	.54	4	.51	6	.37	14
6	.180	.87	0.5	.78	2	.72	3	.64	4	.58	6

## AA20A ACETAL ADJUSTABLE AIRMOVER



**Material:** Acetal Copolymer

**Weight:** 0.08Kg

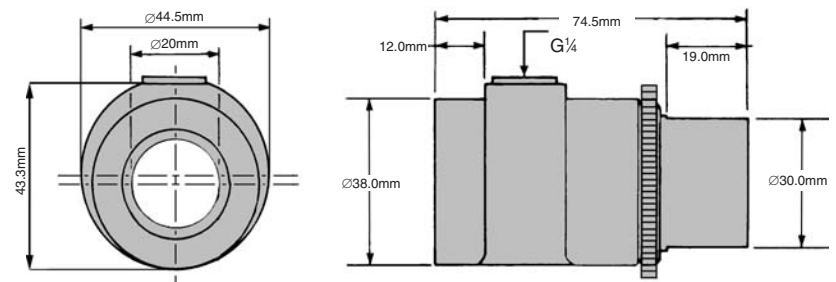
**Standard Gap:** Adjustable

**dB(A) at:** 5.5 bar is 78

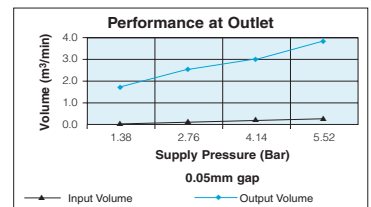
**Shims:** Not applicable

**Standard Inlet Thread:**  $G\frac{1}{4}$

**Options:**  $\frac{1}{4}$ " NPT  
Please specify on order  $\frac{1}{4}$ " NPTF



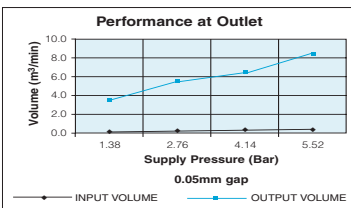
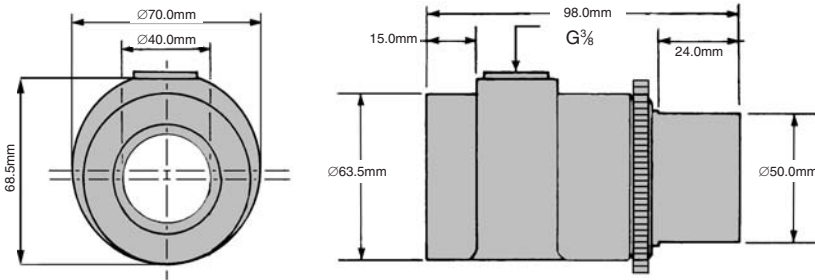
Bar	Vol in m <sup>3</sup> /min	Vol out m <sup>3</sup> /min
1.38	0.105	1.614
2.76	0.164	2.492
4.14	0.224	3.030
5.52	0.286	3.681



### PERFORMANCE DATA – DUCTED

METRIC	Back Pressure (mm water gauge) and guide to equivalent pipe length										
	50mm water gauge		100mm water gauge		150mm water gauge		200mm water gauge		250mm water gauge		
Supply Pressure kg/cm <sup>2</sup>	VI m <sup>3</sup> /min	Vc m <sup>3</sup> /min	Equiv. Pipe length m	Vo m <sup>3</sup> /min	Equiv. Pipe length m	Vo m <sup>3</sup> /min	Equiv. Pipe length m	Vo m <sup>3</sup> /min	Equiv. Pipe length m	Vo m <sup>3</sup> /min	Equiv. Pipe length m
2	.125	.91	2.0	.59	9	.42	27				
3	.170	1.42	0.8	1.03	3	.85	3	.62	18		
4	.210	1.90	0.4	1.46	2	1.25	3	1.05	6	.74	16
5	.265	2.55	0.3	1.98	1	1.70	2	1.51	3	1.22	6
6	.295	3.45	0.2	2.75	0.5	2.18	1	2.04	2	1.78	3

## ACETAL ADJUSTABLE AIRMOVER AA40A



Bar	Vol in m <sup>3</sup> /min	Vol out m <sup>3</sup> /min
1.38	0.207	3.256
2.76	0.323	5.182
4.14	0.439	6.513
5.52	0.555	8.297

**Material:** Acetal Copolymer

**Weight:** 0.20Kg

**Standard Gap:** Adjustable

**dB(A) at:** 5.5 bar is 80

**Shims:** Not applicable

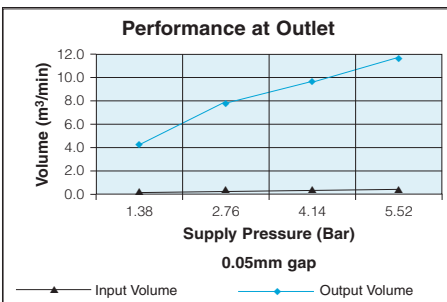
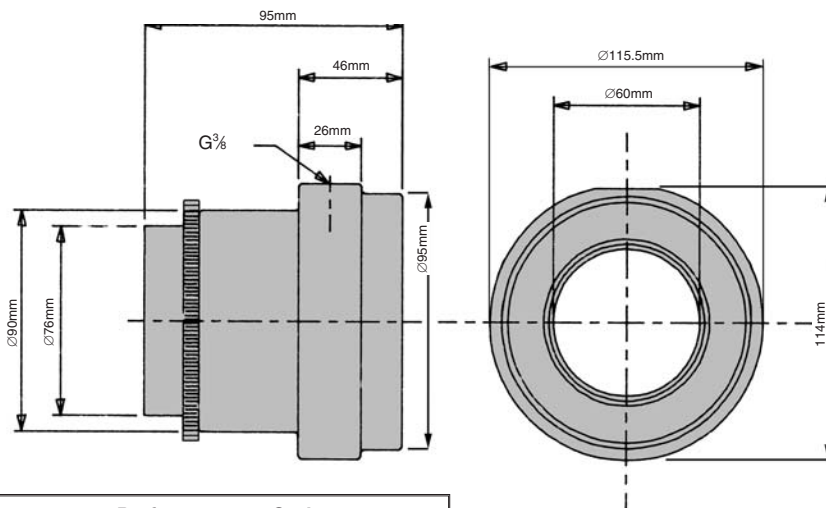
**Standard Inlet Thread:** G<sup>3/8</sup>

**Options:**  $\frac{3}{8}$ " NPT  
Please specify on order  $\frac{3}{8}$ " NPTF

### PERFORMANCE DATA – DUCTED

METRIC	Back Pressure (mm water gauge) and guide to equivalent pipe length											
	50mm water gauge		100mm water gauge		150mm water gauge		200mm water gauge		250mm water gauge			
Supply Pressure kg/cm <sup>2</sup>	Vi m <sup>3</sup> /min	Vo m <sup>3</sup> /min	Equiv. Pipe length m	Vi m <sup>3</sup> /min	Vo m <sup>3</sup> /min	Equiv. Pipe length m	Vi m <sup>3</sup> /min	Vo m <sup>3</sup> /min	Equiv. Pipe length m	Vi m <sup>3</sup> /min	Vo m <sup>3</sup> /min	Equiv. Pipe length m
2	.26	1.22	10	1.00	29							
3	.36	1.97	4	1.44	14	1.16	34					
4	.42	2.88	2	2.20	6	1.75	15	1.00	58			
5	.50	4.14	1	3.08	3	2.49	7	1.80	18	1.33		
6	.58	5.41	0.6	4.25	2	3.20	5	2.63	9	2.20	43	15

## ACETAL ADJUSTABLE AIRMOVER AA60A



Bar	Vol in m <sup>3</sup> /min	Vol out m <sup>3</sup> /min
1.38	0.280	4.191
2.76	0.476	7.561
4.14	0.654	9.231
5.52	0.841	11.327

**Material:** Acetal Copolymer

**Weight:** 0.73Kg

**Standard Gap:** Adjustable

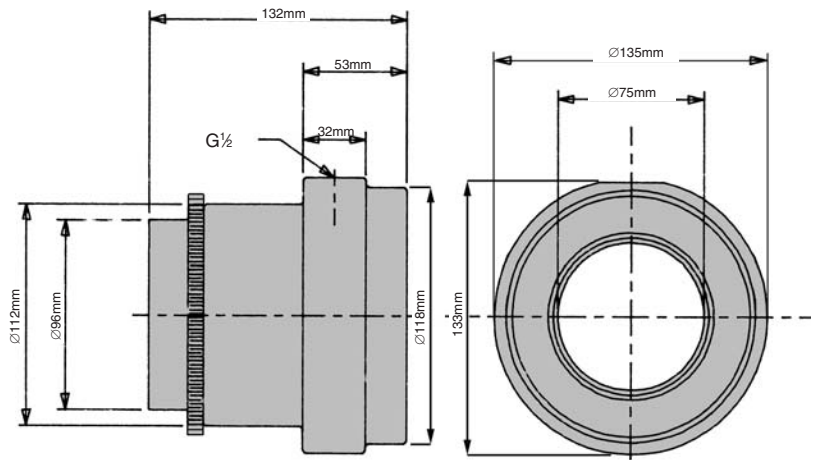
**dB(A) at:** 5.5 bar is 80

**Shims:** Not applicable

**Standard Inlet Thread:** G<sup>3/8</sup>

**Options:**  $\frac{3}{8}$ " NPT  
Please specify on order  $\frac{3}{8}$ " NPTF

## AA75A ACETAL ADJUSTABLE AIRMOVER



**Material:** Acetal Copolymer

**Weight:** 0.82Kg

**Standard Gap:** Adjustable

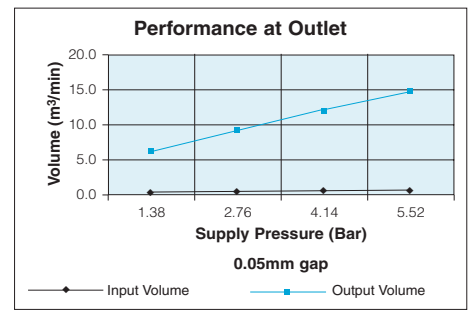
**dB(A) at:** 5.5 bar is 81

**Shims:** Not applicable

**Standard Inlet Thread:** G $\frac{1}{2}$

**Options:**  $\frac{1}{2}$ " NPT  
Please specify on order  $\frac{1}{2}$ " NPTF

Bar	Vol in m <sup>3</sup> /min	Vol out m <sup>3</sup> /min
1.38	0.425	6.230
2.76	0.651	9.203
4.14	0.906	12.035
5.52	1.133	14.866



## MOUNTING RINGS FOR ADJUSTABLE AIRMOVERS AND COLD AIR GUNS

### OPTIONAL MOUNTING RINGS

PART NUMBER	HOLE DIA. (mm)	HOLE PCD (mm)
MR 10 SS	6.5	54
MR 20 SS	6.5	65
MR 35 SS	8.5	90
MR 40 SS	8.5	94
MR 60 SS	8.5	135
MR 75 SS	8.5	155
MR 125 SS	10.5	225
MR CG4 SS	6.5	65

